

Blocking Wireless Multicast At The Access Point

All e-Watch cameras and encoders send their video via multicast. This allows multiple stations to view video simultaneously. Under normal conditions this is the most efficient situation. However when using a wireless e-Watch camera or encoder this situation can cause problems. The problem arises when the access point both sends and receives multicast video.

In this situation the access point can quickly become flooded with multicast data.

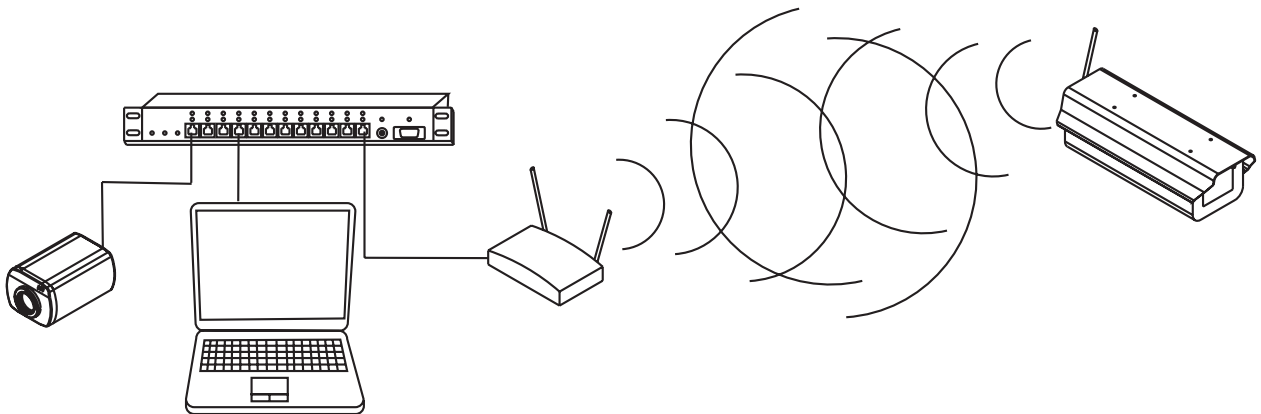


Figure A. Access Point Flooding With Data

The solution is to block the unnecessary multicast data. That is, block the outgoing multicast.

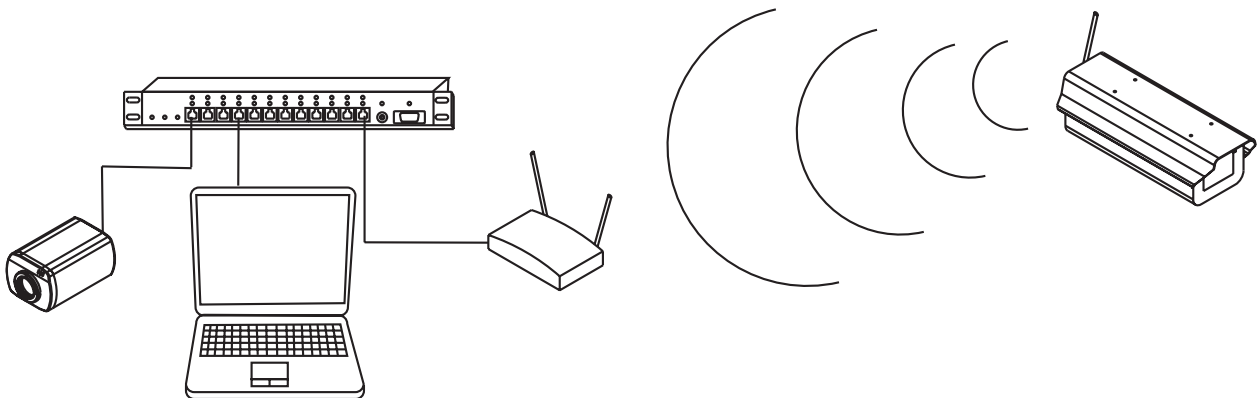


Figure B. Outgoing Multicast Blocked. Access Point Not Flooded.

Blocking Wireless Multicast At The Access Point

Note: The following instructions are for a Cisco CLI access point. Please consult the manufacturer of your access point for instructions.

One-way to block traffic from cameras on the wired side of an AP from being sent out the wireless side is to build a port filter. Currently the cameras send QSIF MPEG to port 5001, SIF MPEG to port 5002, and QSIF MJPEG to port 5003.

To build a port filter:

1. Select Setup.
2. Under Associations select IP Port Filters.
3. Enter a name for the filter and select Add New.
4. In the Special Cases box enter 5001 and select Add New.
5. In the Disposition box select block, then select OK.
6. Repeat steps 4 and 5 for ports 5002 and 5003.
7. Select OK.

Once the filter has been built it needs to be enabled:

1. Select Setup.
2. Under Network Ports select Ethernet Filters.
3. In the IP Port box under Receive, select the name of your filter.
4. Select OK.

e-Watch Corporation
7800 IH-10 West, Suite 720
San Antonio, TX 78230
USA

tel: (210) 349-2000
fax: (210) 341-1020

For more information:

email:
sales@e-watch.com

website:
www.e-watch.com

Copyright© 2006 e-Watch Corporation. All rights reserved. e-Watch is a registered trademark of e-Watch Corporation. ViewWatch, DecisionWatch, Event-Watch, SiteWatch, MotionWatch, GateWatch, AirWatch, PocketWatch, PeopleWatch, BankWatch, ClassWatch, ObjectWatch, WatchLink, Activity Gated Storage, and Gigapixel are trademarks of e-Watch Corporation. Any other trademarks mentioned in this document are the property of their respective owners. The use of the word partner does not imply a partnership relationship between e-Watch Corporation and any other company.