



e-Watch®

HDW-210



WALL MOUNT

Medium duty enclosure mounts capable of supporting loads up to 40 pounds (18 kg). Designed for wall applications. Suitable for use with CAM-346.

A 90-degree wall mount that extends 15 inches (38.10 cm) from the wall to allow unlimited positioning of the enclosure.

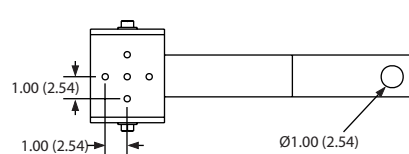
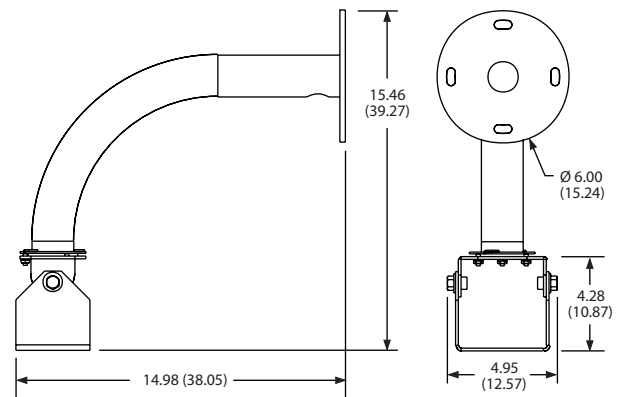
Constructed of aluminum. It features an adjustable swivel head which allows mechanical positioning of the enclosure. In addition, there is a 1-inch (2.54 cm) diameter cable feedthrough hole and openings in the top and bottom to conceal the wiring

MECHANICAL

Pan Adjustment	360°
Tilt Adjustment	75° (up or down)

GENERAL

Enclosure Mounting	Two 1/4-20 mounting bolts (supplied)
Suggested Mounting Method	Secure to solid surface with a minimum of two 1/4-20 fasteners (not supplied). <i>(For maximum stability use four fasteners.)</i>
Cable Feedthrough	One 1-inch (2.54 cm) diameter hole at base of mount
Maximum Load	40 lb (18 kg)
Locking Method	3/8-16 hex head bolts on adjustable swivel head
Construction	Aluminum
Finish	Gray polyester powder coat
Unit Weight	2.83 lb (1.28 kg)
Shipping Weight	5 lb (2.26 kg)



†Technical Specifications subject to change without notice

e-Watch Corporation
7800 IH-10 West, Suite 720
San Antonio, TX 78230
USA

tel: (210) 349-2000
fax: (210) 341-1020

For more information:

email:
sales@e-watch.com

website:
www.e-watch.com

Copyright© 2006 e-Watch Corporation. All rights reserved. e-Watch is a registered trademark of e-Watch Corporation. ViewWatch, Decision-Watch, EventWatch, SiteWatch, MotionWatch, GateWatch, AirWatch, PocketWatch, PeopleWatch, BankWatch, ClassWatch, ObjectWatch, WatchLink, Activity Gated Storage, and Gigapixel are trademarks of e-Watch Corporation. Any other trademarks mentioned in this document are the property of their respective owners. The use of the word partner does not imply a partnership relationship between e-Watch Corporation and any other company.