



Description

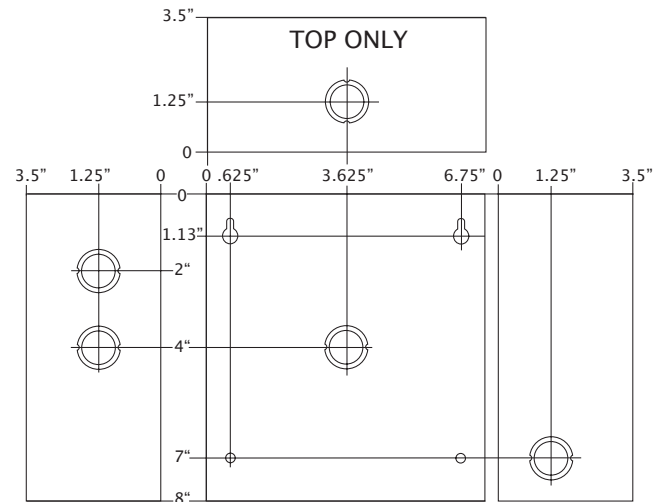
24VAC for camera, and Pan/Tilt heads.

Overview:

The PWR-202 power supply is designed to power Cameras and accessories. It will provide 24VAC distributed via four (4) fuse protected outputs with a total of 7 amps continuous supply current.

Specifications:

- Input 115VAC 50/60 Hz, .9 amp.
- Four (4) 24VAC individually fused outputs.
- 7 amps (175VA total) supply current.
- Output fuses are rated at 3.5 amps / 250VAC each.
- Main fuse is rated at 5 amps / 250VAC.
- Surge protection.
- AC power LED indicator.
- Power ON/OFF switch.
- Spare fuse included.
- Unit maintains camera synchronization.
- Ease of installation saves time and eliminates costly labor.
- Individual output is capable of providing 84VA @ 3.5amps.
- Max for all 4 outputs is 175VA @ 7amps.



†Technical Specifications subject to change without notice

e-Watch Corporation
7800 IH-10 West, Suite 720
San Antonio, TX 78230
USA

For more information:

email:
sales@e-watch.com

tel: (210) 349-2000
fax: (210) 341-1020

website:
www.e-watch.com

Copyright© 2006 e-Watch Corporation. All rights reserved. e-Watch is a registered trademark of e-Watch Corporation. ViewWatch, DecisionWatch, EventWatch, SiteWatch, MotionWatch, GateWatch, AirWatch, PocketWatch, PeopleWatch, BankWatch, ClassWatch, ObjectWatch, WatchLink, Activity Gated Storage, and Gigapixel are trademarks of e-Watch Corporation. Any other trademarks mentioned in this document are the property of their respective owners. The use of the word partner does not imply a partnership relationship between e-Watch Corporation and any other company.