



e-Watch®

PWR-210



Description

Outdoor power supply suitable for use with outdoor cameras and DOM cameras. It has one fused output and is capable of handling up to 4 amps (100 vA) of total load.

- 1 output
- 120 VAC input
- 24 VAC Output
- NEMA4X/IP66 Weatherproof Enclosure
- AC Power Indicator with Power On/Off Switch
- Compatible with Cameras, Domes, and Pan/Tilts

MECHANICAL

Cable Entry	Hole plugs for 0.75-inch (1.9 cm) conduit
Latch	Stainless steel link-lock latch; can be secured with padlock (not supplied)

ELECTRICAL

Input Voltage	100/120/230 VAC, 50/60 Hz
Output Voltage	24/26/28 VAC
Output Fuse/Circuit Breaker Ratings	4A
Output Wire Size	16-20 gauge solid or stranded wire

The following are the recommended maximum distances (transformer to load) and are calculated with a 10-percent voltage drop. (Ten percent is generally the maximum allowable voltage drop for AC-powered devices.) Distances are calculated in feet; values in parentheses are meters.

Recommended Wiring Distance Chart

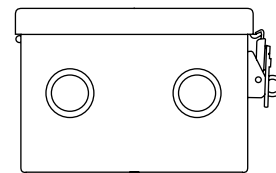
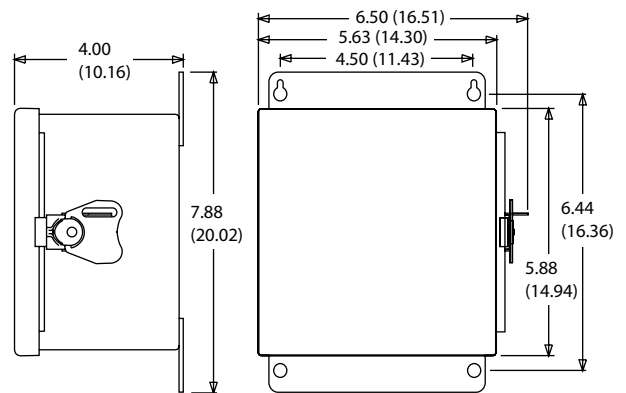
Input Voltage	Total vA Consumed	Wire Gauge		
		20 AWG (0.5 mm ²)	18 AWG (1.0 mm ²)	16 AWG (1.5 mm ²)
24 VAC	50	56 (17)	90 (27)	143 (43)
	65	43 (13)	69 (21)	110 (33)
	75	37 (11)	60 (18)	95 (29)
	120	23 (7)	37 (11)	59 (17)

GENERAL

Environment	Outdoor
Construction	Aluminum
Finish	Gray polyester powder coat
Unit Weight	6.4 lb (2.9 kg)
Shipping Weight	8 lb (3.6 kg)

CERTIFICATIONS/RATINGS

CE (WCS4-20 and WCS4-20B)
UL Listed
UL Listed to Canadian safety standards
Meets NEMA 4X and IP66 Standards



e-Watch Corporation
7800 IH-10 West, Suite 720
San Antonio, TX 78230
USA

For more information:

email:
sales@e-watch.com

tel: (210) 349-2000
fax: (210) 341-1020

website:
www.e-watch.com

†Technical Specifications subject to change without notice

Copyright© 2006 e-Watch Corporation. All rights reserved. e-Watch is a registered trademark of e-Watch Corporation. ViewWatch, DecisionWatch, EventWatch, SiteWatch, MotionWatch, GateWatch, AirWatch, PocketWatch, PeopleWatch, BankWatch, ClassWatch, ObjectWatch, WatchLink, Activity Gated Storage, and Gigapixel are trademarks of e-Watch Corporation. Any other trademarks mentioned in this document are the property of their respective owners. The use of the word partner does not imply a partnership relationship between e-Watch Corporation and any other company.